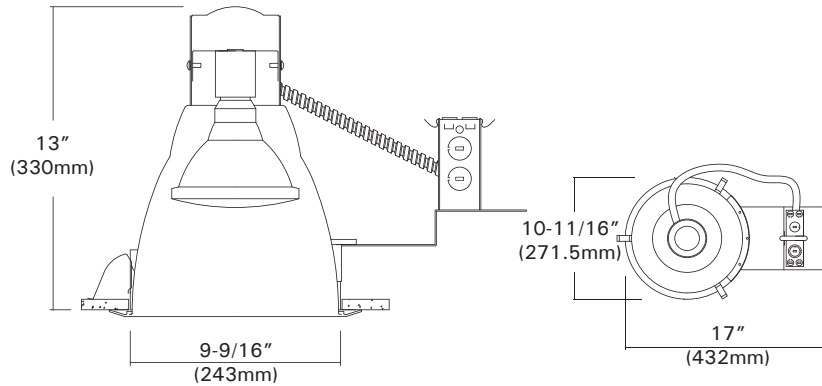


# DL-1920RH

## 10" Vertical Remodel Frame-in-kit For HID Lamps

Catalog #		Type
Project		Date
Prepared by		

### METAL HALIDE



#### DESCRIPTION

10" aperture remodel frame-in kits for vertical PAR, ED, B metal halide lamps. These are designed for use in non-insulated or for insulated ceilings but insulation must be kept 3" from all sides of the housing. Offering a wide choice of trim types including reflector, lensed and wall trims.

#### DESIGN FEATURES

Ceiling Cut-out : 9-3/4"  
Lamp, Max, Watt. / Ballast : 175W / ED17, PAR38, B

##### ◦ Housing Kit

- C-UL listed, NON-IC, thermally protected housing for vertical ED, PAR, B metal halide lamps.
- 1-5/8" deep collar may use for various thickness of ceiling.

##### ◦ Junction Box

- Listed for through branch circuit wiring. (Max. 8 No 12 AWG 90°C branch circuit conductors. (4 in, 4 out)
- (5) 1/2" knockouts with true pry-out slots and (4) knockouts with Romex cable clamp.
- Ground wire provided on J-box.

##### ◦ Reflector

- Anodized clear, haze, gold, champagne, pewter color finished full reflectors. And anodized reflectors with black or white milled groove baffle collar.

##### ◦ Ballast

- Electronic ballast for 120 and 277 volts 50/60Hz operation high power factor, class A sound rated.

##### ◦ Socket

- Medium base porcelain socket 4KV pulse rated with nickel plated screw shell.

##### ◦ Socket Cup

- Heat sink aluminum cup with vertically adjustable lampholder is used to control multiple beam spreads.

##### ◦ Thermal Protector

- Self resetting thermal detector on J-box deactivates fixture if overheating occurs due to improper lamping or mis-applied insulation.
- Install varied detectors according to input voltages.

##### \* Listing

- UL, c-UL listed for damp location.
- UL, c-UL listed for feed through.

#### Ordering Information

Housing	Ballast	Lamp(s) Watt.	Voltage
DL-1920RH	E : Electronic Metal Halide HID Ballast	39 : 39W    100 : 100W 50 : 50W    150 : 150W 70 : 70W    175 : 175W	-Blank : 120V -27 : 277V

Example : DL-1920RH-E150

# Trims

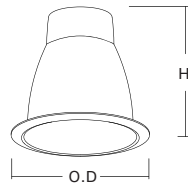
## 10" Vertical Metal Halide Trims For

DL-9200H, DL-1920H, DL-1920RH

Catalog #		Type
Project		Date
Prepared by		

### METAL HALIDE

**TM-199R-H**  
**TM-199RF-H**  
**Specular Open Reflector**  
**175W ED17, PAR38MH**  
**250W ED28 (Mog)**  
 White Metal Trim Ring  
 O.D : 11-1/4"  
 Height : 9-1/2"  
 \*Symbol (RF) is for Self-flange



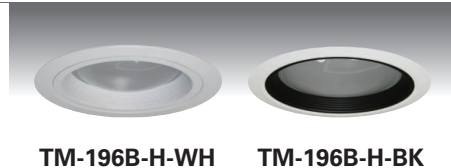
**TM-190B-H**  
**Baffle w/ Reflector**  
**175W ED17, PAR38MH**  
**250W ED28 (Mog)**  
 White Metal Trim Ring  
 O.D : 11-1/4"  
 Height : 9-1/2"



**TM-198-H**  
**Reflector w/ Frosted Drop Lens**  
**175W ED17, PAR38MH**  
**250W ED28 (Mog)**  
 White Metal Trim Ring  
 O.D : 11-1/4"  
 Height : 9-1/2"



**TM-196B-H**  
**Baffle w/ Frosted Lens**  
**175W ED17, PAR38MH**  
**250W ED28 (Mog)**  
 White Metal Trim Ring  
 O.D : 11-1/4"  
 Height : 9-1/2"



**TM-198S-H**  
**Reflector w/ Frosted 3.5" Center Hole Lens**  
**175W ED17, PAR38MH**  
**250W ED28 (Mog)**  
 White Metal Trim Ring  
 O.D : 11-1/4"  
 Height : 9-1/2"



**TM-196R-H**  
**Reflector w/ Frosted Lens**  
**175W ED17, PAR38MH**  
**250W ED28 (Mog)**  
 White Metal Trim Ring  
 O.D : 11-1/4"  
 Height : 9-1/2"



- ◆ White metal ring standard.
- ◆ All trims are damp location, Lens trims are wet location listed.

### ORDERING INFORMATION

Choose the catalog / finish codes that best suit your needs and enter it on the appropriate line.

TRIM MODEL	REFLECTOR	LENS	BAFFLE	METAL RING
	CL :Clear	AS :All Sanded	WH :White	WH :White
	WH :White	CL :Clear	BK :Black	BK :Black
	GD :Gold	CS :Center Part Sanded	SN :Satin Nickel	SN :Satin Nickel
	MA :Matte Platinum		AN :Antique Nickel	AN :Antique Nickel
	CP :Champagne		AC :Antique Copper	AC :Antique Copper
	PR :Pewter		MO :Mocha	MO :Mocha
	HC :Haze Clear		CA :Cappuccino	CA :Cappuccino
			CH :Chrome	CH :Chrome
			UN :Natural Steel	UN :Natural Steel
			PB :Polished Brass	PB :Polished Brass

Examples:  
 TM-199R-H-HC-WH = Haze Clear Reflector  
 TM-190B-H-BK-WH = Black Baffle w/Clear Reflector